

### Tender specification:

Oventrop three-way diverting and mixing valve “Tri-CTR” PN 16 up to 120 °C. Bronze body.

Steady or two point control with Oventrop temperature controllers and Oventrop actuators.

Oventrop three-way diverting and mixing valves “Tri-CTR” are supplied with collar nuts for the connection of weldable tailpipes made of steel or solder or screwed tailpipes made of brass.

Connection thread M 30 x 1.5.

### Technical data:

Max. operating temperature  $t_s$ : 120 °C

Min. operating temperature  $t_s$ : -10 °C

Max. operating pressure  $p_s$ : 16 bar (PN 16)

### Function:

For use as mixing valve, the Oventrop three-way diverting and mixing valve “Tri-CTR” has two inlet ports (A and B) and one outlet port (AB). Depending on the position of the regulating sleeve, the cold and hot water is mixed.

For use as diverting valve, the three-way valve has one inlet port (AB) and two outlet ports (A and B). Depending on the position of the regulating sleeve, the direction of flow is diverted from one to the other outlet port.

The Oventrop three-way diverting and mixing valve can be combined with Oventrop temperature controllers or actuators\*.

### Material:

Valve body made of corrosion-resistant bronze, inner parts made of brass and stainless steel, regulating sleeve made of high quality plastic, seals of the valve insert and O-rings made of EPDM.

### Application:

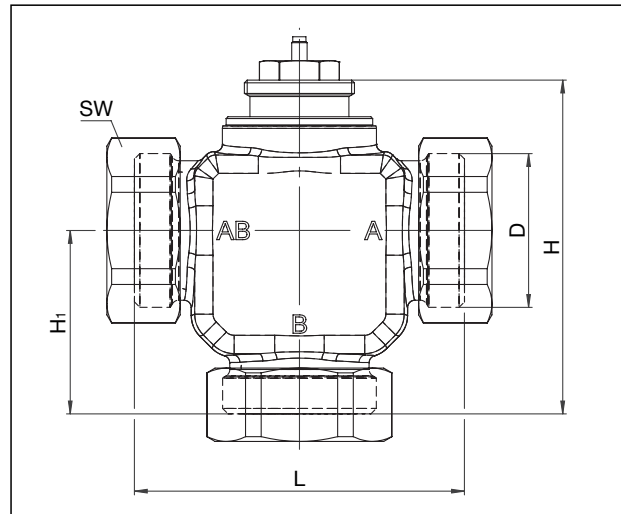
Mixing or diverting of the flow in heating or cooling systems. Tight closing in final positions of the valve insert.

### Models:

Size	$k_{VS}$ value	Max. differential pressure [bar]	Item no.:
DN 15	2.5	3	1131204
DN 20	4.4	2	1131206
DN 25	5.7	1	1131208
DN 32	7.2	1	1131210
DN 40	8.5	1	1131212
DN 50	10.0	0.75	1131216

Max. differential pressure (tight closing in final positions of the valve disc).

The  $k_{VS}$  values are valid for both, the three-way diverting and mixing valve.



DN	D ISO 228	L	H	H <sub>1</sub>	SW*	Weight kg
15	G 3/4	70	76	38	30	0.6
20	G 1	80	88	47	37	0.8
25	G 1 1/4	90	91	50	46	1.2
32	G 1 1/2	110	96	55	52	1.5
40	G 2	115	106	64	68	2.2
50	G 2 3/8	130	112	65	75	2.9

Dimensions

\*SW = Spanner size

### Accessories sets:

One set includes three tailpipes.

DN	D <sub>1</sub>	L <sub>1</sub>	Item no.
15	20.5	50	1130091
20	26	50	1130093
25	33	60	1130094
32	41	60	1130095
40	48.5	65	1130096
50	60	65	1130098

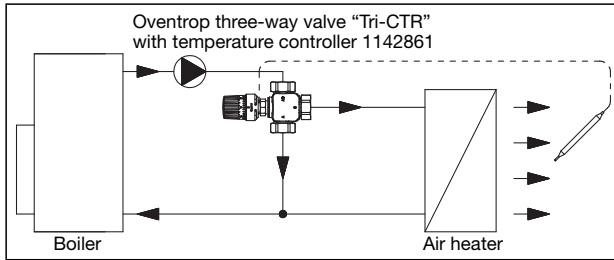
Weldable tailpipes

DN	D <sub>2</sub>	L <sub>2</sub>	Item no.
15	15	18	1130191
20	15	20	1130192
20	18	23	1130193
20	22	24	1130194
25	28	27	1130195
32	35	32	1130199
40	35	40	1130196
40	42	32	1130197
50	54	50	1130198

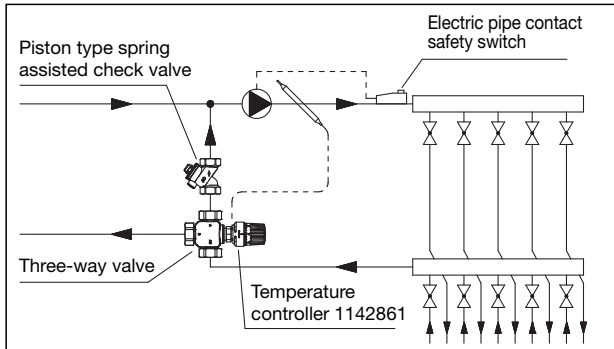
Solder tailpipes

DN	D <sub>3</sub> EN 10226	L <sub>3</sub>	Item no.
15	R 1/2	31	1130291
20	R 1/2	32	1130292
20	R 3/4	34	1130293
25	R 1	40	1130294
32	R 1 1/4	46	1130299
40	R 1 1/4	40	1130295
40	R 1 1/2	40	1130296
50	R 2	55	1130298

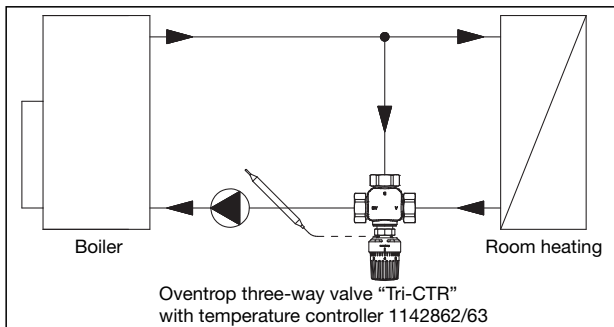
Threaded tailpipes



System illustration of the three-way valve as diverting valve  
Use in a heating system with air heater  
The air outlet temperature of the air heater is controlled.

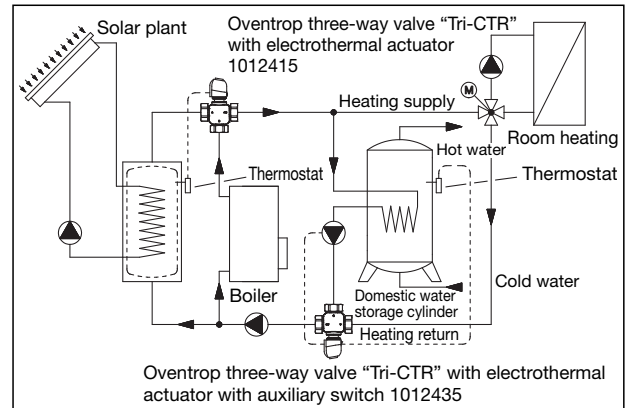


System illustration of the three-way valve as diverting valve  
Control of underfloor heating systems  
The flow temperature of the underfloor circuit is limited to the set value.

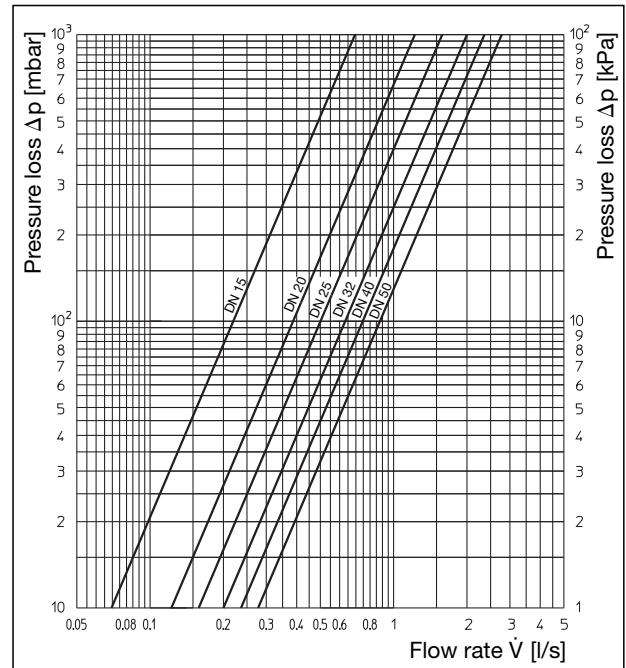


System illustration of the three-way valve as mixing valve

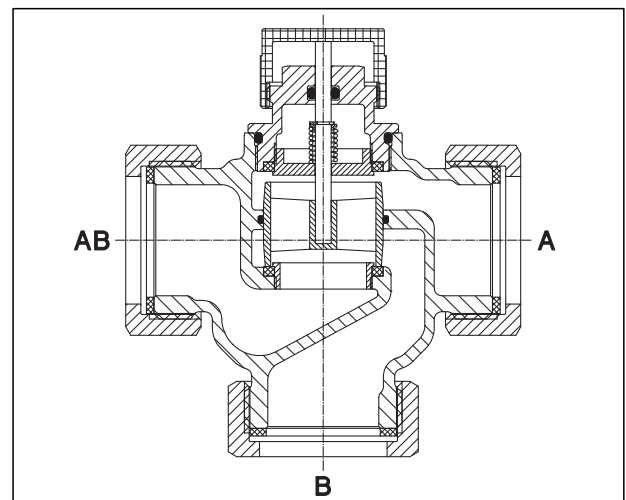
Increase of return temperature for solid fuel boilers  
The required return temperature is set at the temperature controller. With the return temperature increasing, the bypass between the supply and return pipe is throttled and vice versa.



System illustration of the three-way valve as mixing valve  
Use in a bivalent heating system  
With sufficient duration of sunshine, the solar plant is in operation. If this duration is not sufficient, the oil or gas fired boiler is added to the heating circuit by the three-way valve. A constant temperature of domestic water is thus guaranteed.



Performance data



Illustrated section

OVENTROP GmbH & Co. KG  
Paul-Oventrop-Straße 1  
D-59939 Olsberg, Germany  
Phone +49 (0)29 62 82-0  
Fax +49 (0)29 62 82-450  
E-Mail mail@oventrop.de  
Internet www.oventrop.de

For an overview of our global presence  
visit [www.oventrop.de](http://www.oventrop.de).

Subject to technical modification without notice.

Product range 3  
ti 312-EN/10/MW  
Edition 2015